

## 2J9C01JWCF-C392N

GPS/GLONASS/BeiDou Pole Mount

### Key Features

GPS/GLONASS/BeiDou/QZSS/Galileo

- 1561-1606 MHz

Pole Mount

28 dB Gain

Pre-Filter

Voltage 1.5 - 3.6 V

Low Noise Figure

Ground Plane Independent

Integrated TNC Female

Dimensions Ø 74 × 116 mm



## 1. Antenna and electrical specifications

Passive Parameters	GPS/GLONASS Antenna		
	BeiDou	GPS/QZSS/Galileo	GLONASS
<b>Standard</b>			
<b>Band (MHz)</b>	1561	1575	1602
<b>Frequency(MHz)</b>	1561.098	1575.42	1598-1606
<b>Return Loss (dB)</b>	~ -10.3	~ -7.2	~ -8.3
<b>VSWR</b>	~ 1.9:1	~ 2.6:1	~ 2.3:1
<b>Efficiency (%)</b>	~ 87.1	~ 81.0	~ 81.9
<b>Peak Gain (dBic)</b>	~ 4.3	~ 4.0	~ 3.7
<b>Average Gain (dB)</b>	~ -0.6	~ -0.9	~ -0.9
<b>Impedance</b>		50	
<b>Radiation Pattern</b>		Hemispherical	
<b>Axial Ratio (dB)</b>		3 max	
<b>Polarization</b>		RHCP	
<b>Active Parameters</b>			
<b>Saw Filter</b>		Pre-Filter	
<b>Active Gain (dB)</b>		28 @ 2.7 V	
<b>Noise Figure (dB)</b>		1.8 @ 2.7 V	
<b>Voltage (V)</b>		1.5 - 3.6	
<b>Current (mA)</b>		9 @ 2.7 V	
<b>Power Consumption (mW)</b>		24.3 @ 2.7 V	
<b>Out of Band Rejection (dB)</b>		~ 43	
<b>ESD Protection</b>		6 kV	
<b>Connector Type</b>		TNC Female	

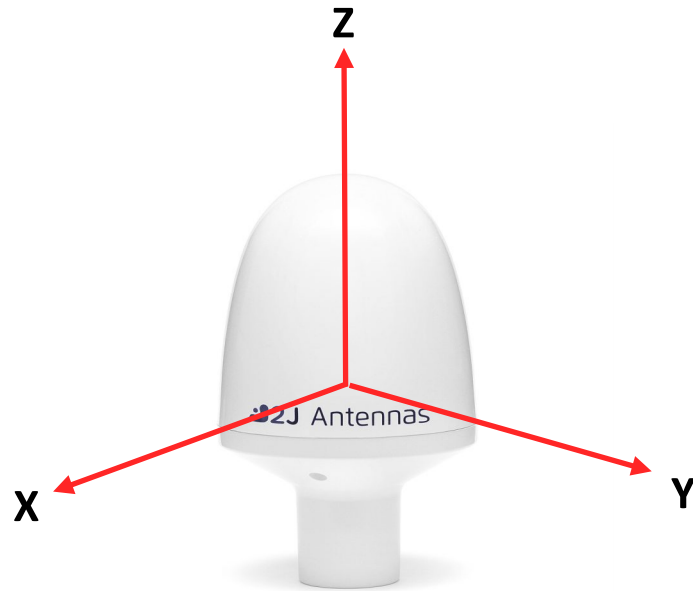
### Antenna Measurement Conditions:

Free Space

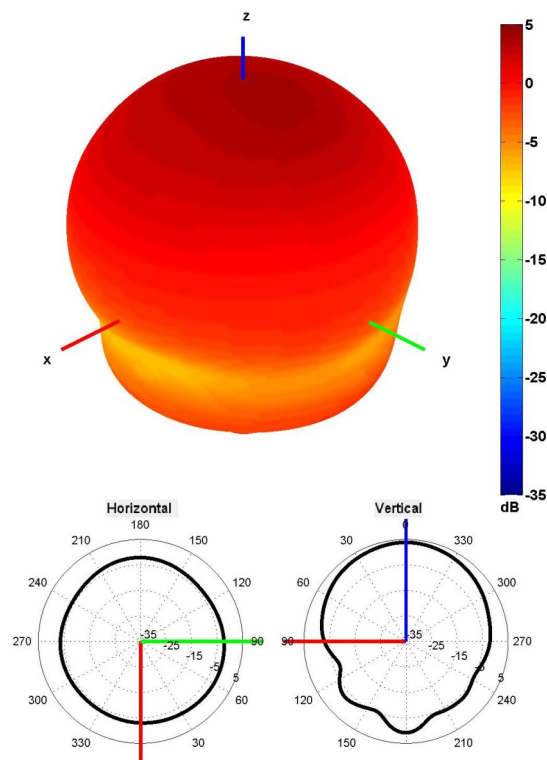
Measured in Certified CTIA 3D Anechoic Chamber

## 2. Mechanical and environmental specifications

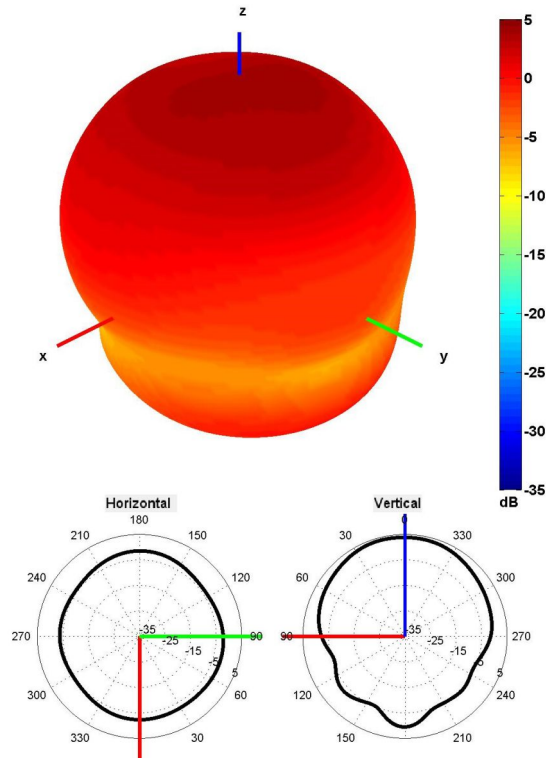
Specifications	2J9C01JWCF-C392N
<b>Mounting Type</b>	Pole Mount
<b>Thread</b>	1"-14 TPI
<b>Dimensions (mm)</b>	Ø 74 × 116
<b>Radome Type</b>	ABS
<b>Radome Color</b>	White
<b>Operating Temperature (C)</b>	-40 to +85
<b>Storage Temperature (C)</b>	-40 to +85
<b>Certificates</b>	IP67



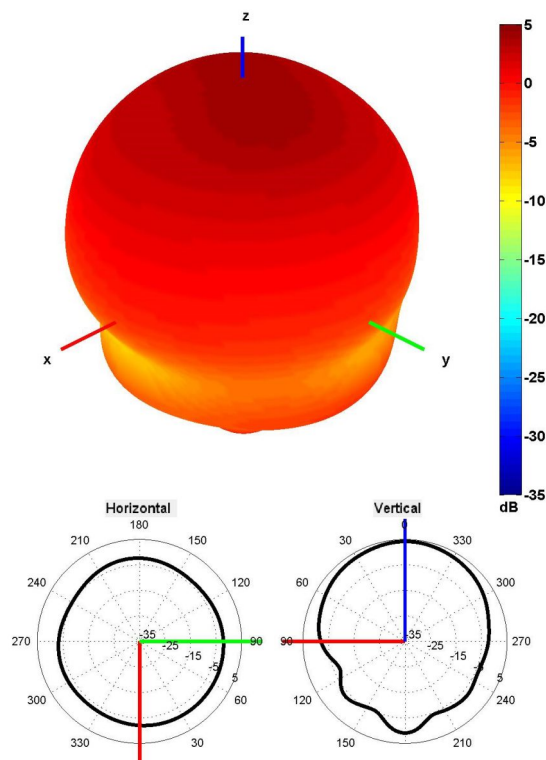
Radiation pattern reference



1560 MHz Radiation pattern

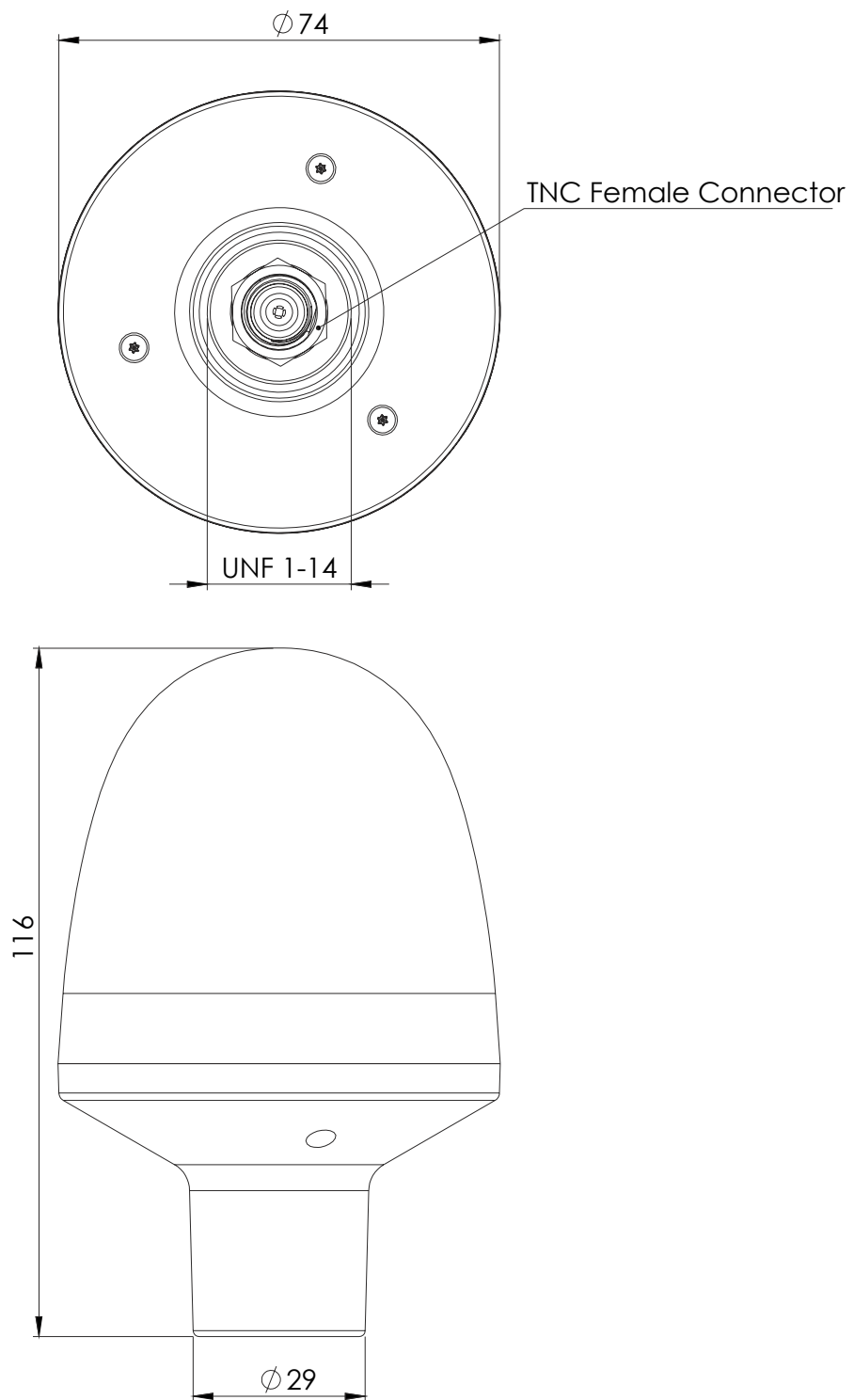


1575 MHz Radiation pattern



1600 MHz Radiation pattern

### 3. Antenna drawings



## 4. Antenna Images

